

# Technaxx® \* User Manual

## Retro Video Digitizer TX-182

Before using the appliance for the first time, please read the instructions for use and safety information carefully.



This appliance is not intended for use by persons (including children) with reduced physical, sensory or mental capacities, or by persons lacking in experience or knowledge, unless they are supervised or instructed on the use of this device by a person responsible for their safety. Children should be supervised to ensure they do not play with this device.

Keep this user manual for future reference or product sharing carefully. Do the same with the original accessories for this product. In case of warranty, please contact the dealer or the store where you bought this product.

***Enjoy your product. \*Share your experience and opinion on one of the well-known internet portals.***

## Table of Contents

Hints .....	2	Recording .....	14
Safety instructions .....	3	Play mode settings .....	15
Warnings .....	3	How to set .....	15
Features .....	4	Settings .....	16
Quick start guide .....	5	Playback.....	16
Product overview & functions .....	6	Show recordings on TV .....	17
Display symbols .....	7	Copy recordings to PC .....	18
Before the start.....	7	Troubleshooting.....	18
Charging the battery.....	7	Edit/Convert recordings.....	19
Installing the Memory card .....	8	Technical specifications .....	20
Connecting a video source.....	9	Support.....	20
First start .....	10	Care and maintenance .....	20
Recording mode settings.....	10	Declaration of Conformity .....	21
Set resolution .....	10	Disposal.....	21
Setting Date and Time.....	11		
Settings .....	13		

## Hints

- Do not use the TX-182 to capture, reproduce or copy copyrighted works, whether video or audio. The unauthorized reproduction or distribution of copyrighted work is illegal! Make sure that the work to be digitized does not have a copyright disclaimer, if this is the case do not use the TX-182 to digitize the work.
- Never hold or carry the device by the power cable.
- Do not clamp or damage the power cable.
- Ensure that the power adapter do not come into contact with water, steam or other liquids.
- Only use the product for purposes due to its intended function & only for household use.
- Do not damage the product. Following cases may damage the product: Incorrect voltage, accidents (including liquid or moisture), misuse or abuse of the product, faulty or improper installation, mains supply problems including power spikes or lightning damage, infestation by insects, tampering or modification of the product by persons other than authorized service personnel, exposure to abnormally corrosive materials, insertion of foreign objects into the unit, used with accessories not preapproved.
- Refer to and heed all warnings and precautions in the user manual.
- The user alone bears the risk.

## **Safety instructions**

- Never touch the device with wet or damp hands.
- The device can only be operated with the voltage described on the rear panel and on the power supply unit.
- Do not position this device near moisture or water.
- Do not place the device on an unstable surface. The unit could be damaged or persons could be injured. Any attachments should be made only in accordance with the manufacturer's instructions or obtained from the manufacturer.
- The cable is sheathed and insulates the current. Do not place any objects on the cable, as this could cause the protective function to be lost. Avoid placing excessive stress on the cable, especially at sockets and plugs.
- If you want to pull the plug out of the socket, always pull on the plug and not on the cable. The cable could otherwise break.
- To protect the unit during a lightning storm or when it is left unattended for long periods of time: unplug it from the wall outlet This will prevent damage due to lightning strikes.
- Do not overload wall outlets, extension cords, or other wiring as this may result in fire or electric shock.
- Do not insert any objects into the openings of the unit, as current flows in some places and contact may cause fire or electric shock.
- Unplug the power cord from the wall outlet for cleaning.
- Do not use liquid cleaners or cleaning sprays. The device may only be cleaned with a damp cloth.
- Do not connect any additional devices that are not recommended by the manufacturer.
- Do not connect the audio output from a high-power amplifier to the product's audio input.
- We accept no liability for damage to property or personal injury caused by improper handling or failure to observe the safety instructions and the operating instructions. In such cases any warranty claim expires! We accept no liability for consequential damage.
- Do not open the device, do not attempt to repair it, do not carry out any conversions or modifications - this will result in the loss of the warranty claim. We accept no liability for consequential damage.

## **Warnings**

- Do not disassemble the TX-182, it may result in short-circuit or damage.
- Battery warning: Improper use of the battery may cause fire or chemical burns. The battery may explode in case of damage.
- Do not modify, repair

or remove without professional guidance. ● Do not use corrosive or volatile liquid for cleaning. ● Do not drop or shake the TX-182, it may break internal circuit boards or mechanics. ● Keep the TX-182 in dry and ventilated environment. Avoid high humidity and high temperature. ● This TX-182 is not water-resistant; keep it away from moisture. ● Keep the device away from little children.

## **Features**

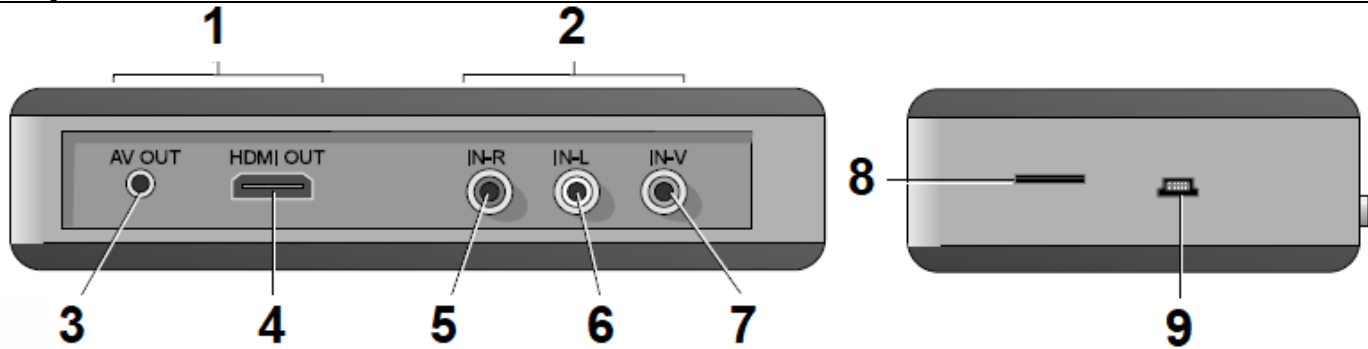
- Digitize analog videos from Video8, Hi8, SVHS, VHS, VCD, DVD, VCR or DV
- 2.4" (6cm) display to watch your recordings on the video digitizer
- Save videos directly to MicroSD card up to 32GB
- Built in rechargeable battery (recordings up to 4hours)
- Capture video material max. file size 90 minutes
- Restore and share your family memories from old times
- Share your digitalized videos on your PC or your TV (HDMI or AV)
- Supports recording quality VGA or QVGA
- Built in loudspeaker (mono)

## Quick start guide

1. Insert microSD card (max. 32GB) and connect the device to the "MiniUSB" power port via MiniUSB data/power cable. Insert Composite/RCA signal source into Composite/RCA input port of TX-182. Long press the **On/Off Menu** button for 3 seconds to turn on the power and enter the recording mode. (See chapter "Recording mode settings" for details.)
2. After turning on the power short press the **REC** button to start recording. To stop recording, short press the **REC** button again. (See chapter "Recording" for details.)
3. To play recorded video, short press the **MODE** button to switch to the play mode. Then short press the **OK ▶|/📷** button to start playing video. Short press **OK ▶|/📷** button to suspend play again. If there are multiple videos recorded, short press the **⏪** button to switch to last video. Short press the **▶▶** button to switch to the next video. If want go back to the recording mode, short press the **MODE** button again. (See chapter "Playback" for details.)
4. To adjust the volume, short press the **VOL+** Button to increase the volume and short press the **VOL-** Button to decrease the volume.
5. To output images to a large-screen display, just plug the HDMI cable into the HDMI OUT port or use the AV cable to plug in the AV OUT port. (See chapter "Show recordings on TV" for details.)
6. If want to view recorded videos on the computer. Connect the TX-182 to the computer via the USB data/power cable. (See chapter "Copy recordings to PC" for details.)

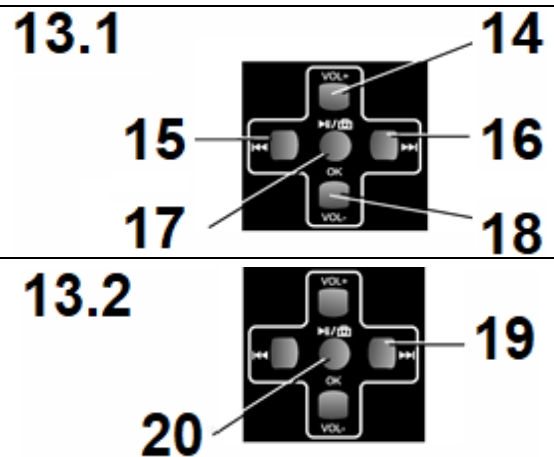
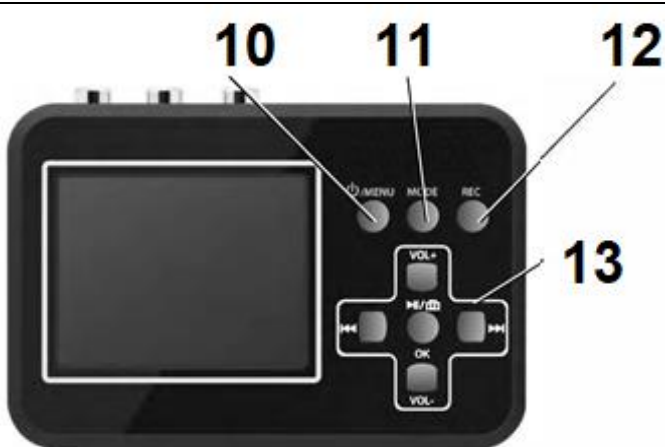
# Product overview & functions

## Top and Side view



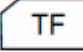






1	Outputs	6	Left audio input
2	Input (Composite; RCA)	7	Video input
3	3.5mm AV video output	8	MicroSD card slot
4	HDMI output	9	Mini USB connector
5	Right audio input		

## Front view



10	<b>On/Off Menu</b>	15	⏪ Go back in the file list
11	<b>Mode</b> - Select mode	16	⏩ Go forward in the file list
12	<b>REC</b> - Start/Stop recording	17	<b>OK</b> ▶ /📷 Start/Stop playing
13	The buttons within the cross perform different functions depending on the mode selected	18	<b>VOL-</b> - Lower the volume
13.1	Play mode	19	⏩ Record without sound
13.2	Recording mode	20	<b>OK</b> ▶ /📷 Snapshot mode
14	<b>VOL+</b> - Increase the volume		

## Display symbols

 MicroSD card	 Recording mode	 Battery indicator
  Available button alternatives		
 Exit – Press the On/Off Menu button to leave the setting mode		
 Set – Press OK to select and save the selected setting		

## Before the start

Charge at least 5 hours before using it for the first time!

**Note:** When the battery is completely depleted, it will need approximately 5 hours for a full charge!

The TX-182 allows you to record video materials from a range of video sources, such as Video8, Hi8, SVHS, VHS, VCD, DVD, VCR or DV. You can also take snapshots of the video material.

The MicroSD card saves your recording in AVI format. File size is 13-15MB per minute.

Any segment you record that is more than 90minutes long is divided into parts.

The file name is automatically created in order (0001, 0002, etc.). The files can then be transferred to a PC and be renamed.

## Charging the battery

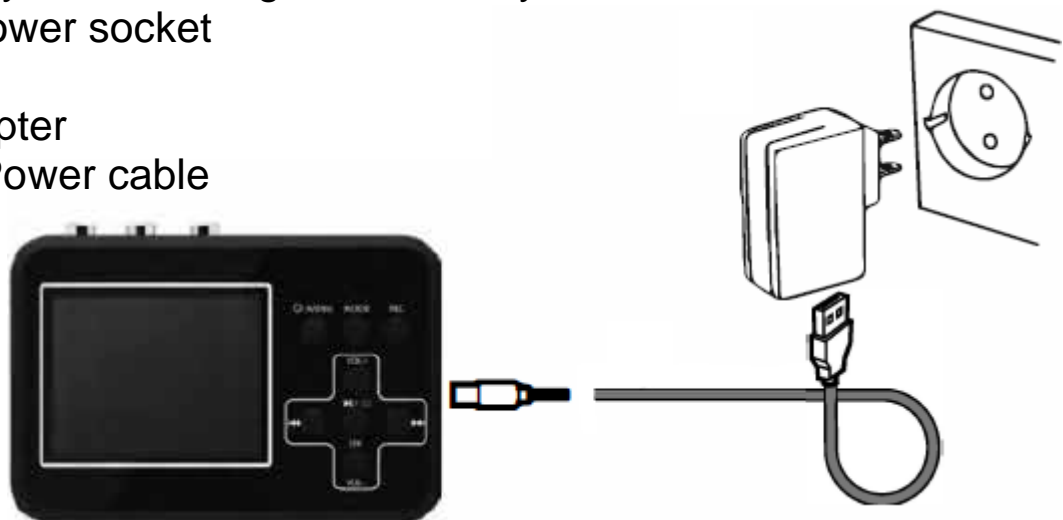
Charge the TX-182 for at least 1 hour before turning it on. **Note:** The device has no LED indicator to show whether the device is charging or is fully charged. Only way to see the battery status is to turn on the device.

The built-in battery can be charged in two ways:

**A** Via the main power socket

Use:

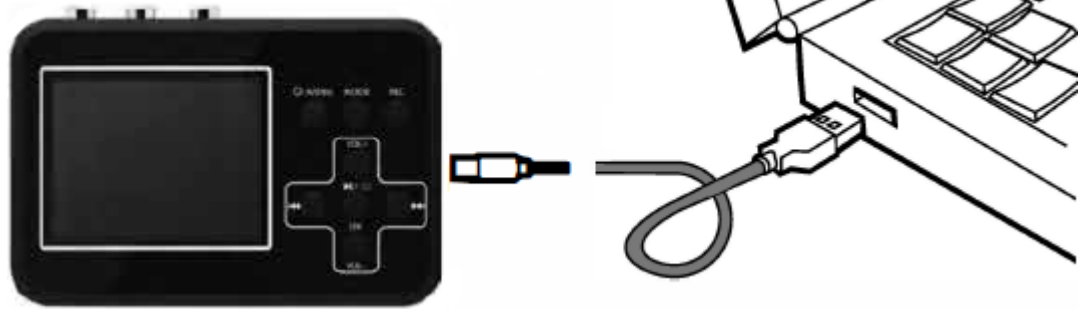
- USB power adapter
- MiniUSB Data/Power cable



## **B** Via the PC's USB port

Use:

- MiniUSB Data/Power cable



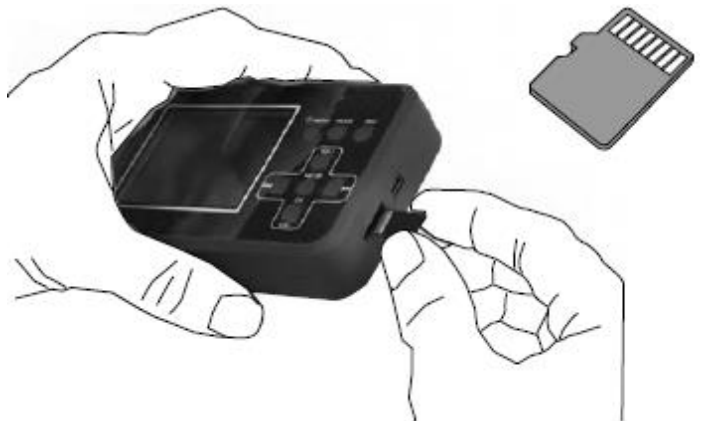
### **Note:**

- After the product is connected to PC, the display turns black and it charges. Only further action that can be done in this state is transferring data from the MicroSD card to PC.
- When the battery is completely depleted, it will need approximately 5 hours for a full charge!

### **Installing the Memory card**

Use a MicroSD card with max. 32GB. For optimal results, a memory card with speed class 10 is recommended.

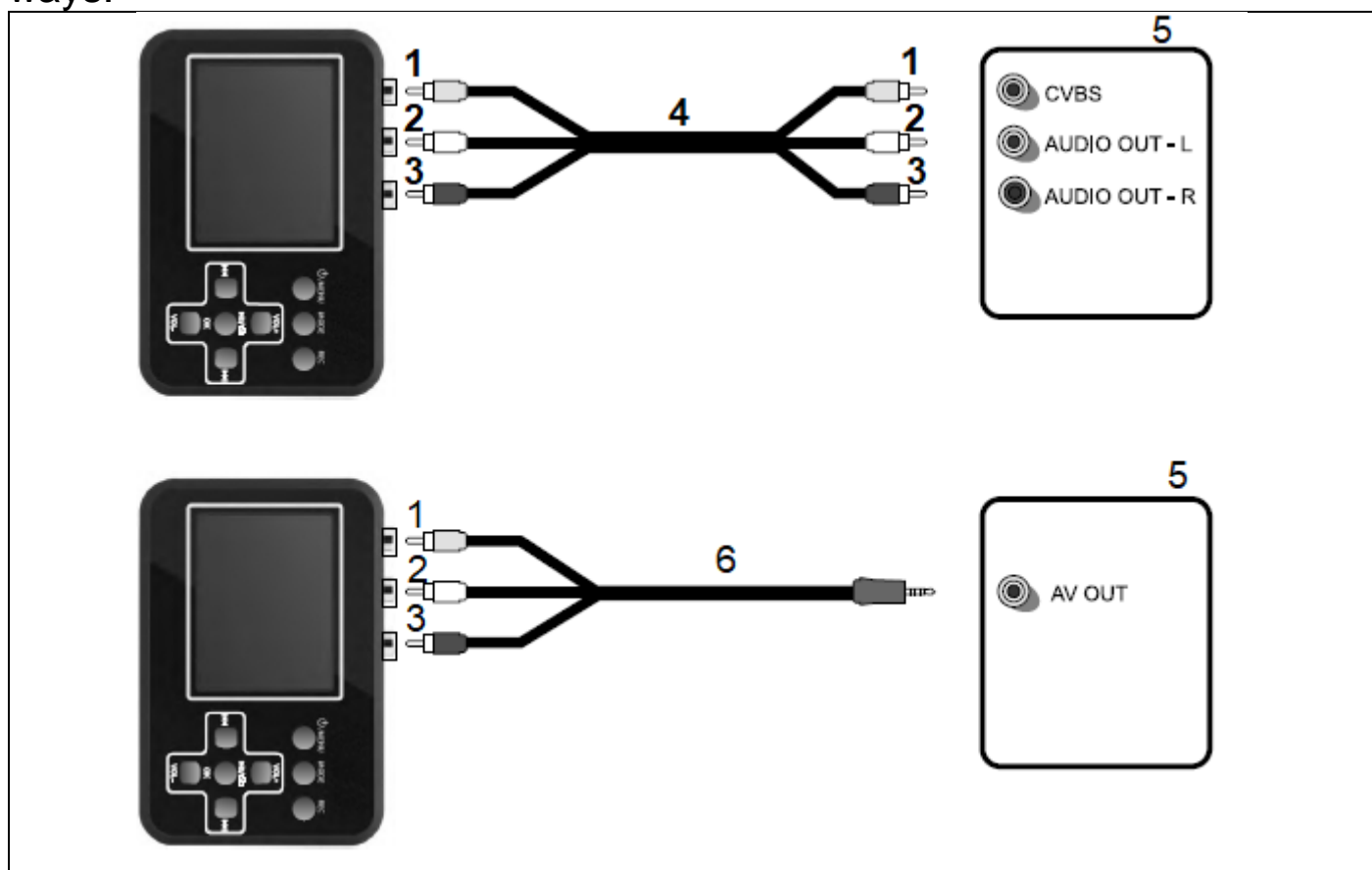
**Note:** Format FAT32 required.





## Connecting a video source

Connect the TX-182 to a video source like shown in one of the following ways:



1	Yellow (video)	4	RCA-cable
2	White (audio L)	5	Source (Video8, Hi8, SVHS, VHS, VCD, DVD, VCR, DV, camera)
3	Red (audio R)	6	AV-cable

## First start

Make sure the TX-182 is connected to the power supply or that the battery is charged and that the memory card is inserted. Press the **On/Off Menu** button for approx. 3 seconds to turn the TX-182 On or Off.



Upon being powered up, the TX-182 starts in recording mode and the following information is shown on the display:

1	TF	VGA	PAL	00:51:09	5	1 MicroSD card inserted
2	VOL 4	6				2 Recording mode
3						3 Recording resolution / Color encoding standard
4						4 Recording time to MicroSD card
5						5 Battery status
6						6 Volume level of speaker (no influence to recording)

**Note:** If no memory card (MicroSD) is inserted, the message “No Card” appears on the display.

## Recording mode settings

### Set resolution

Press the **On/Off Menu** button briefly once more to access the settings.



Video	
Size	VGA
Time Stamp	Date & Time
Auto Off	Off
Language	English
Date Input	Enter
Sound	On
1 / 2	<span data-bbox="279 1892 311 1937">M</span> Exit <span data-bbox="438 1892 470 1937">OK</span> Set

Scroll between the various menu alternatives by using the **VOL+** and **VOL-** buttons.

Press **OK** to access to the sub menu.



Press **OK** to save the selected alternative.



**Note:** The selected alternative is shown in yellow in the main menus; however, it appears in blue in the sub menus. VGA is better quality than QVGA.

Press the **On/Off Menu** button to leave the settings mode.



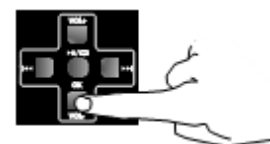
### Setting Date and Time

You can use this setting to show the date and time in the recording. You can set it according to the time when your video was recorded. It does not need to be the current date and time. **Note:** You also can turn off the time stamp.

Press the **On/Off Menu** button briefly to access the settings.



Using the **VOL-** button, scroll down to: Date input - Enter





Press **OK** to reveal an sub menu.



Using the **VOL-** button, scroll down to: Set and press **OK** to enter. **Note:** The blue field is now highlighted.



Use the **VOL-/VOL+** button to change the date format. Use the **▶▶** button, to scroll down to the year.



Set the correct year by using the **VOL-** and **VOL+** buttons.



Then use the **▶▶** button to scroll further to the month etc.



Press **OK** to save the settings and return to the settings menu.



Once all the settings are made, return to the recording mode by pressing the **On/Off Menu** button. The selected settings remain saved even if the device is switched off.

## Settings

The other settings in the video recording menu are made in the same way as you set the date and time.

The available settings are:

Menu	Options
Size	VGA (640x480) or QVGA (320x240) recording resolution
Time Stamp	Off, Date or Date and time visible on the recording.
Auto off	Automatic shut-off set to OFF, 15, 30 or 45 minutes. Automatic shut-off can only work when it is not recording.
Language	Choose several languages to operate the device in. Supported: EN, FR, DE, IT, SP, PO, PL, NL, CZ
Date input	Set the date and time, refer to the chapter "Setting date and time" Set independently the time in the TX-182. For instance, if the video was recorded in the summer of 2007, the date can be inserted here.
Sound	On or Off, Off mutes the recording.
Sys. Reset	Set the device back to factory settings.
Software version	Shows installed firmware version.

## Recording

**Note:** ● The max file length of a recording is 90minutes. After that a new file is created automatically. ● It could also be possible that bottom and top be cut off while recording.

1. Connect your TX-182 to a video source.
2. Turn on the video source.
3. Turn on the TX-182.
4. Make sure the video source image is shown on the TX-182 display.
5. Press the **REC** button to begin recording. The counter in the top right corner of the display turns red.



6. Press PLAY on the video source to begin playing your video. The movie is now also visible on the display of the TX-182.

While your movie is being recorded, you can do the following:

### A Record the movie without sound

Press ►► button once to turn off the sound (Just mutes recording not the device). Press ►► button once more and the sound is on again.



**Note:** The loudspeaker of the TX-182 playbacks the audio even when you mute the recording.

### B Take snapshots

Press the ►|/📷 button it will stop and save the recording and change to Snapshot mode. Press ►|/📷 button again will take a snapshot and save the snapshot.



**Note:** The video material is playing along even you press the ►|/📷 on the TX-182. The play/pause needs to be coordinated by the video source.

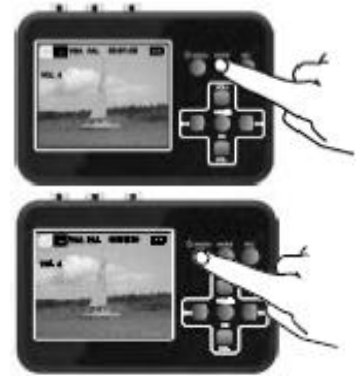
7. Press the **REC** button to stop and save the recording.

**Note:** You also can record video material while the device is connected with the USB power adapter.

# Play mode settings

## How to set

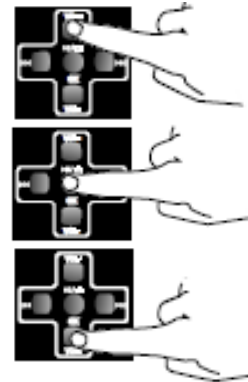
Press the **Mode** button to select the play mode.  
The TX-182 is now in play mode.



Press the **On/Off Menu** button briefly to get to the settings.



Scroll between the various menu alternatives by using the **VOL+** and **VOL-** buttons.



Press **OK** to access to the sub menu.

Using the **VOL-** button to scroll down to the desired setting. **Note:** The blue field is now highlighted.



Press **OK** to save the setting and return to the settings menu.



## Settings

The following settings can be done in play mode:

Delete	Delete recordings or snapshots. Choose: Single, All or Select. At Select choose the file from the miniatures that are displayed.
Protect	Prevents the recordings from being deleted. Choose: Single, All or Select. At Select choose the file from the miniatures that are displayed. Protected files are indicated with a padlock.
Format	Formats the memory card and deletes all the files, even those that are protected.
Slide	Presents the snapshots in the form of a slide show.
Volume	Set the volume level between 1 and 8.
Version	Shows installed firmware version.

## Playback

1. Turn on your TX-182.
2. Use the **Mode** button to select the play mode.  
The TX-182 is now in play mode.



3. Select the desired recording using ◀◀ or ▶▶ buttons.
4. Press **OK** to playback the recording.



5. While playback, long press ▶▶ button to fast forward. The max. speed of fast forward is 8x. While fast forward press ▶||/📷 button to resume to normal playback speed.

You can zoom in and out on snapshots in several steps by pressing the **OK** or **Vol+** button.



Pressing the **Vol-** button will zoom back and ultimately data about the image file are shown.

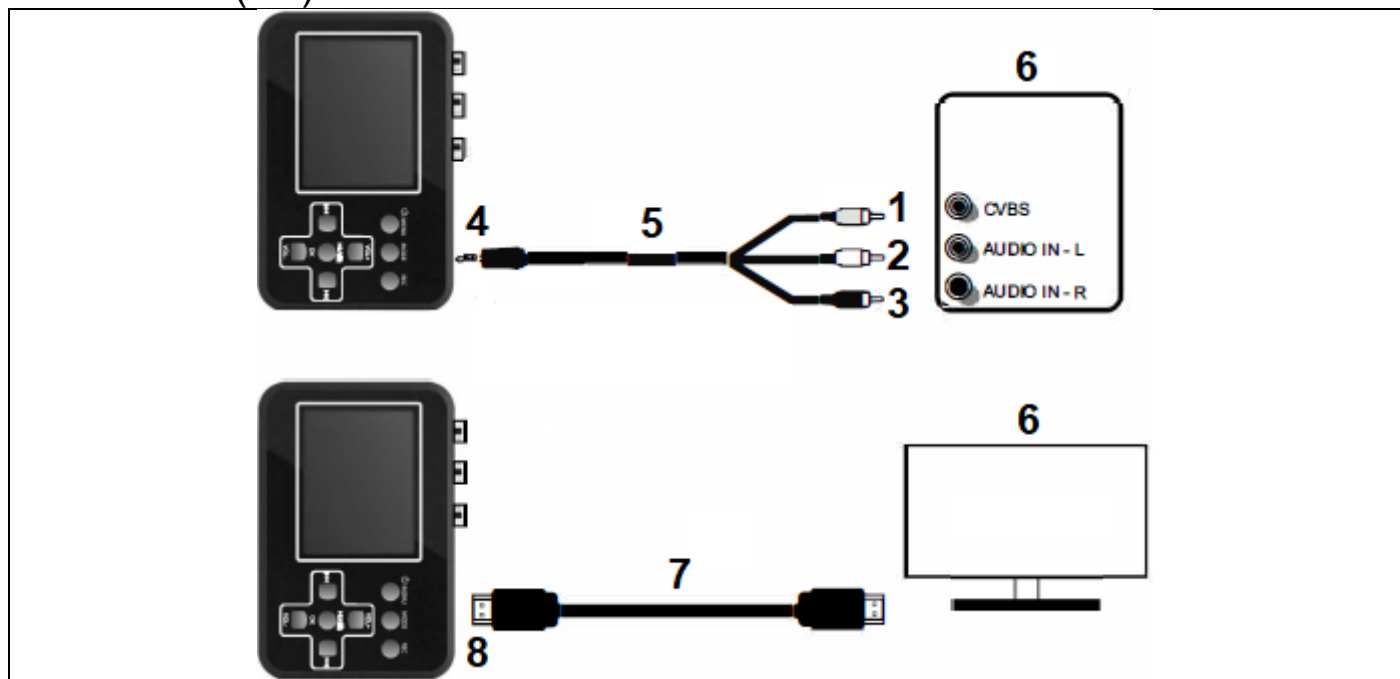


**Note:** Zoom In and Zoom Out is only useable for photos.



## Show recordings on TV

You can connect your TX-182 to a monitor (TV) via AV-cable or by using HDMI-cable. After connecting the TX-182 with either an AV-cable or a HDMI-cable the display turns black. You can see the recordings now on the monitor (TV).

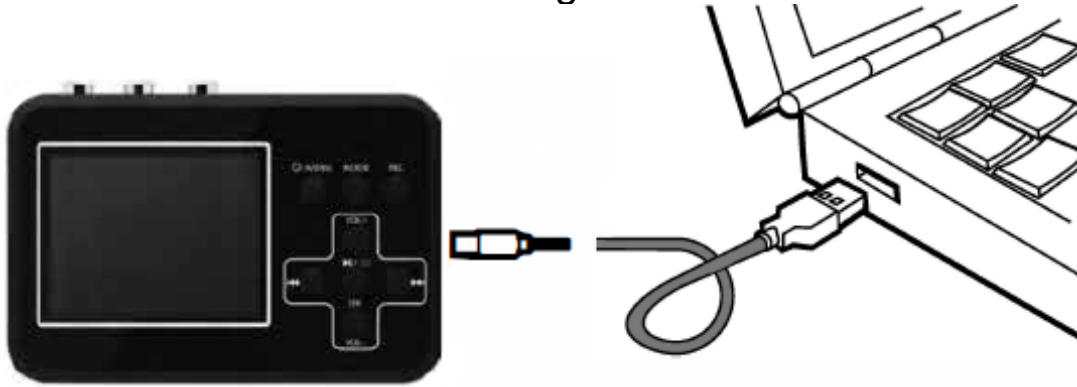


1	Yellow (video)	5	AV-cable
2	White (audio L)	6	Monitor (TV)
3	Red (audio R)	7	HDMI-cable
4	AV-output	8	HDMI output

## Copy recordings to PC

By connecting the TX-182 to a PC, you can process your recordings and snapshots on the PC itself. A drive routine will automatically be installed onto your PC the first time you connect the TX-182 to your PC. The TX-182 then appears as a removable disc drive on the PC, so you can copy, rename or delete your recordings.

1. Start the PC.
2. Connect the TX-182 to the PC using the MiniUSB Data/Power cable.



3. Press and hold the **On/Off Menu** button up to 5 seconds.
4. The TX-182 now appears as a removable disc drive on the PC.
5. Open the folder and copy & paste the files to your PC.

**Note:** It is not possible to playback recordings on the TX-182 while the TX-182 is connected to the PC.

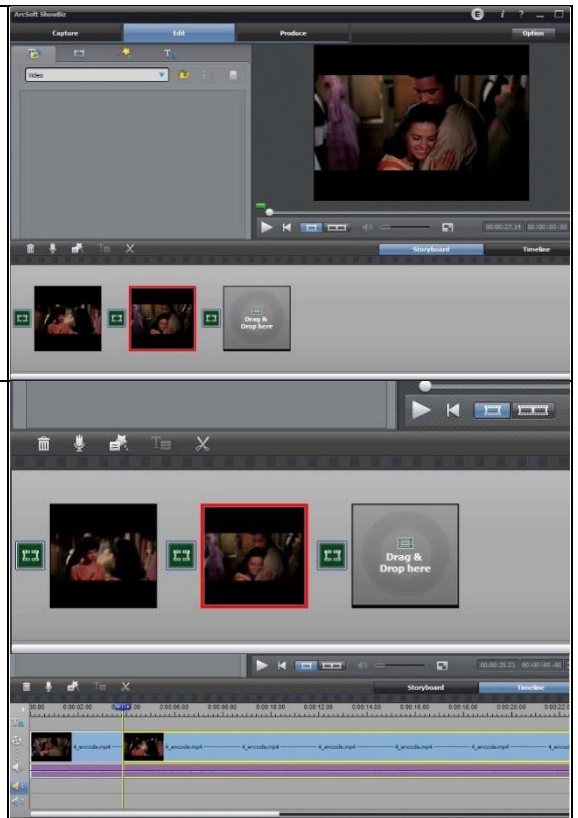
## Troubleshooting

Problem	Solution
No video or audio	Before using the <b>REC</b> button of the TX-182, make sure the input source (DV, DVD player, VHS) is turned on and can provide audio and/or video signal to the TX-182. Make sure that the AV- or RCA-cable is securely connected to both the input source and TX-182. Scart adapter is set to IN. Set it to OUT.
Video hangs or flickers	Use a MicroSD card whose transfer speed is class 10 or above.
No recordings saved	
Software crash	Use a needle to push the mini hole at the back of the TX-182 to reset it.
Hardware crash	
Display remains black	The battery may be dead. Connect the charger and try again.
On/Off Menu button does not work	
No recordings saved	The cables may be incorrectly connected or be connected to loosely.

## Edit/Convert recordings

The TX-182 comes with a video edit software Arcsoft ShowBiz (Windows only), you can edit your recordings with it. Install it from CD (or download the software under [www.technaxx.de/support](http://www.technaxx.de/support)) on PC and open it.

1. You can combine two or more video in one, just drag them into Arcsoft Showbiz.



2. You can cut a video to two or more



3. Click “Produce” after editing, you can create DVD or upload video to YouTube.



4. Click “Create file” to create multiple files for different devices.



**Note:** Click the “?” key on the software panel to get more information and help

## Technical specifications

Recording resolution	VGA (640x480), QVGA (320x240)
Video / Photo format	AVI / JPG
File size recordings	13-15MB per minute; 4GB equal approx. 4h of recordings
File length recording	Max. 90minutes, after that a new file is created
Working time	Up to 4h
Charging time	Up to 2.5h
Battery	Rechargeable lithium polymer battery 3.7V, 1500mAh
Memory card	MicroSDHC max. 32GB, class 10 or above
Power adapter	Input: AC 100-240V 50/60Hz max. 0.4A; Output: DC 5V / 1A
Display	2.4" (6cm) colored TFT
Controls	8 buttons
Languages	EN, FR, DE, IT, SP, PO, PL, NL, CZ
Software	Windows only; English
Power consumption	Max. 5W
Operating temperature	0°C up to +40°C / 32°F up to 104°F
Material	ABS
Weight / Dimensions	114g / (L) 10.5 x (W) 7.5 x (H) 2.5cm 4oz / (L) 4.13 x (W) 2.95 x (H) 0.98 inch
Package content	Technaxx® Retro Video Digitizer TX-182, USB power adapter, RCA-cable, AV-cable, HDMI-cable, MiniUSB Data/Power cable, Scart to RCA adapter, 4GB MicroSD card, CD, user manual

## Support

Service phone No. for technical support: **01805 012643** (14 cent/minute from German fixed-line and 42 cent/minute from mobile networks). Free Email: **support@technaxx.de**

The support hotline is available Mon-Fri from 9am to 1pm & 2pm to 5pm

## Care and maintenance

Clean the device only with a dry or slightly damp, lint-free cloth.

Do not use abrasive cleaners to clean the device.

This device is a high-precision optical instrument, so in order to avoid damage, please avoid the following practice:

- Use the device in ultra-high or ultra-low temperature.
- Keep it or use it in moist environment for long.
- Use it in rainfalls or in water.

- Deliver or use it in strongly shocking environment.

## Declaration of Conformity



The EU Declaration of Conformity can be requested at the following address: [www.technaxx.de/](http://www.technaxx.de/) (in the lower bar "Declaration of Conformity").

## Disposal



Disposal of the packaging. Sort packaging materials by type upon disposal.

Dispose of cardboard and paperboard in the waste paper. Foils should be submitted for recyclables collection.



Disposing of old equipment (Applies in the European Union and other European countries with separate collection (collection of recyclable materials) Old equipment must not be disposed of with household waste! Every consumer is required by law to dispose of old devices that can no longer be used separately from household waste, e.g. at a collection point in his or her municipality or district. This ensures that the old devices are properly recycled and that negative effects on the environment are avoided. For this reason, electrical devices are marked with the symbol shown here.



Batteries and rechargeable batteries must not be disposed of in household waste! As a consumer, you are required by law to dispose of all batteries and rechargeable batteries, whether they contain harmful substances\* or not, at a collection point in your community/city or with a retailer, to ensure that the batteries can be disposed of in an environmentally friendly manner. \* marked with: Cd = cadmium, Hg = mercury, Pb = lead. Return your product to your collection point with the fully discharged battery installed inside!

Made in China

Distributed by:

Technaxx Germany GmbH & Co. KG  
Konrad-Zuse-Ring 16-18,  
61137 Schöneck, Germany

Retro Video Digitizer TX-182

## **FCC Statement**

This device complies with part 15 of the FCC Rules. Operation is subject to the following two conditions:

- (1) This device may not cause harmful interference, and
- (2) this device must accept any interference received, including interference that may cause undesired operation.

Any changes or modifications not expressly approved by the party responsible for compliance could void the user's authority to operate the equipment.

NOTE: This equipment has been tested and found to comply with the limits for a Class B digital device, pursuant to Part 15 of the FCC Rules. These limits are designed to provide reasonable protection against harmful interference in a residential installation. This equipment generates, uses and can radiate radio frequency energy and, if not installed and used in accordance with the instructions, may cause harmful interference to radio communications. However, there is no guarantee that interference will not occur in a particular installation.

If this equipment does cause harmful interference to radio or television reception, which can be determined by turning the equipment off and on, the user is encouraged to try to correct the interference by one or more of the following measures:

- Reorient or relocate the receiving antenna.
- Increase the separation between the equipment and receiver.
- Connect the equipment into an outlet on a circuit different from that to which the receiver is connected.
- Consult the dealer or an experienced radio/TV technician for help.

The device has been evaluated to meet general RF exposure requirement. The device can be used in portable exposure condition without restriction.

## **US Warranty**

Thank you for your interest in the products and services of Technaxx Deutschland GmbH & Co.KG. This Limited Warranty applies to physical goods, and only for physical goods, purchased from Technaxx Deutschland GmbH & Co.KG.

This Limited Warranty covers any defects in material or workmanship under normal use during the Warranty Period. During the Warranty Period, Technaxx Deutschland GmbH & Co.KG will repair or replace, products or parts of a product that proves defective because of improper material or workmanship, under normal use and maintenance.

The Warranty Period for Physical Goods purchased from Technaxx Deutschland GmbH & Co.KG is 1 year from the date of purchase. A replacement Physical Good or part assumes the remaining warranty of the original Physical Good or 1 year from the date of replacement or repair, whichever is longer.

This Limited Warranty does not cover any problem that is caused by:

- conditions, malfunctions or damage not resulting from defects in material or workmanship

To obtain warranty service, you must first contact us to determine the problem and the most appropriate solution for you.

Technaxx Deutschland GmbH & Co.KG, Konrad-Zuse-Ring 16-18, 61137 Schöneck, Germany

\* [www.technaxx.de](http://www.technaxx.de) \* [support@technaxx.de](mailto:support@technaxx.de) \*